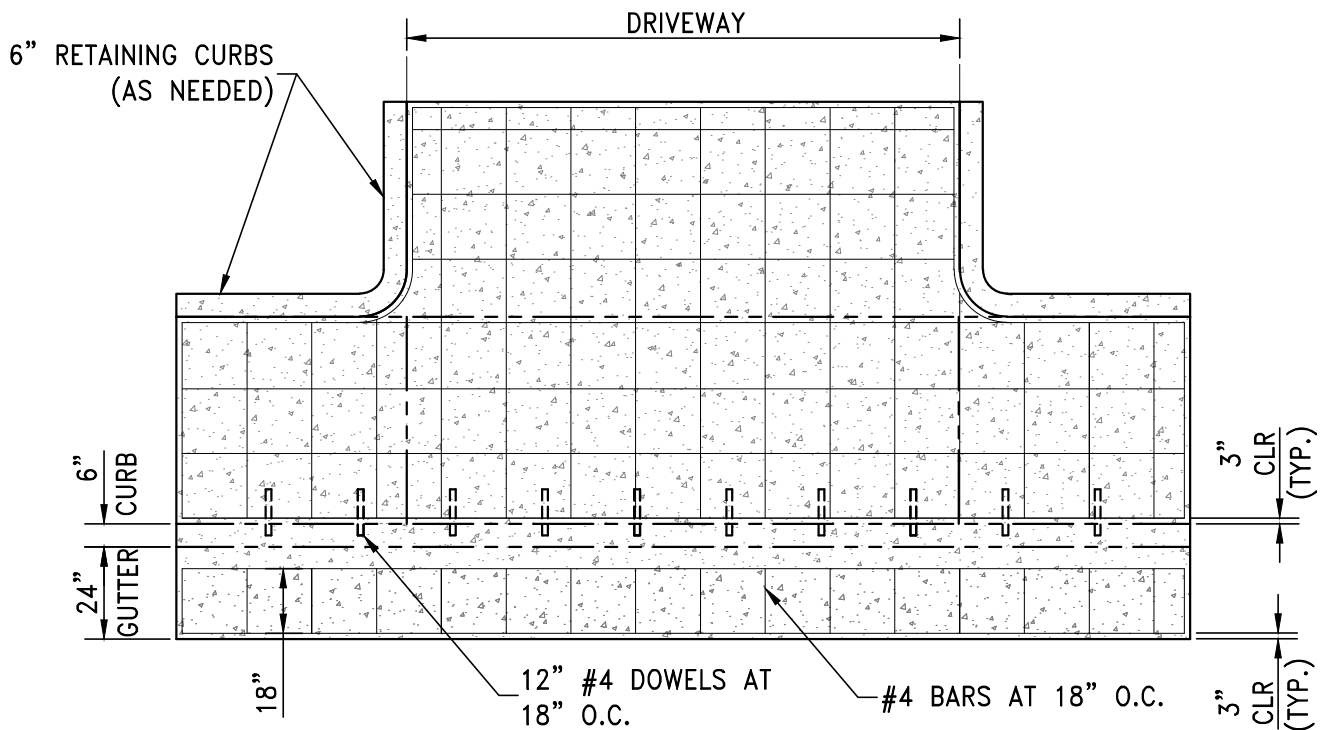


MONOLITHIC POUR



TWO-PART POUR



STANDARD DETAILS FOR PUBLIC WORKS CONSTRUCTION

**P.C.C. DRIVEWAY APRON -
REBAR**

DRAWING No.

R-114D

APPROVED BY: KK

DATE: 2/2026